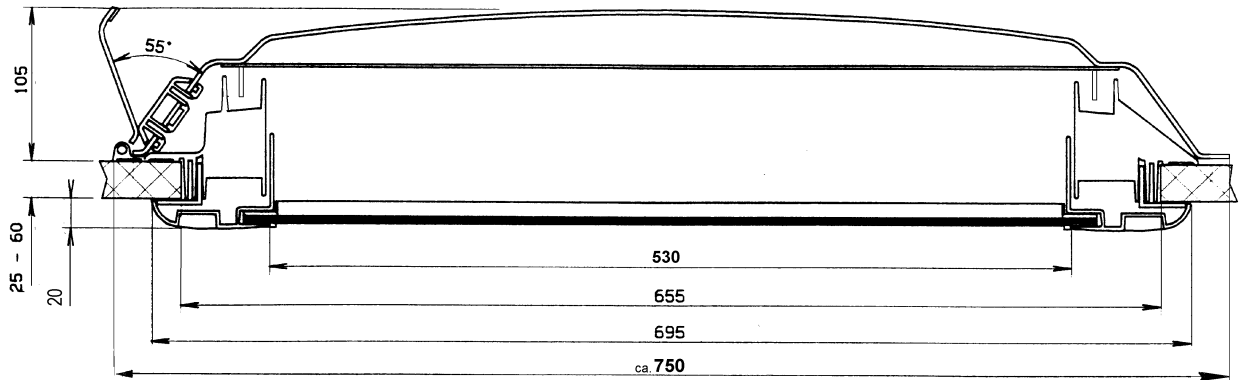
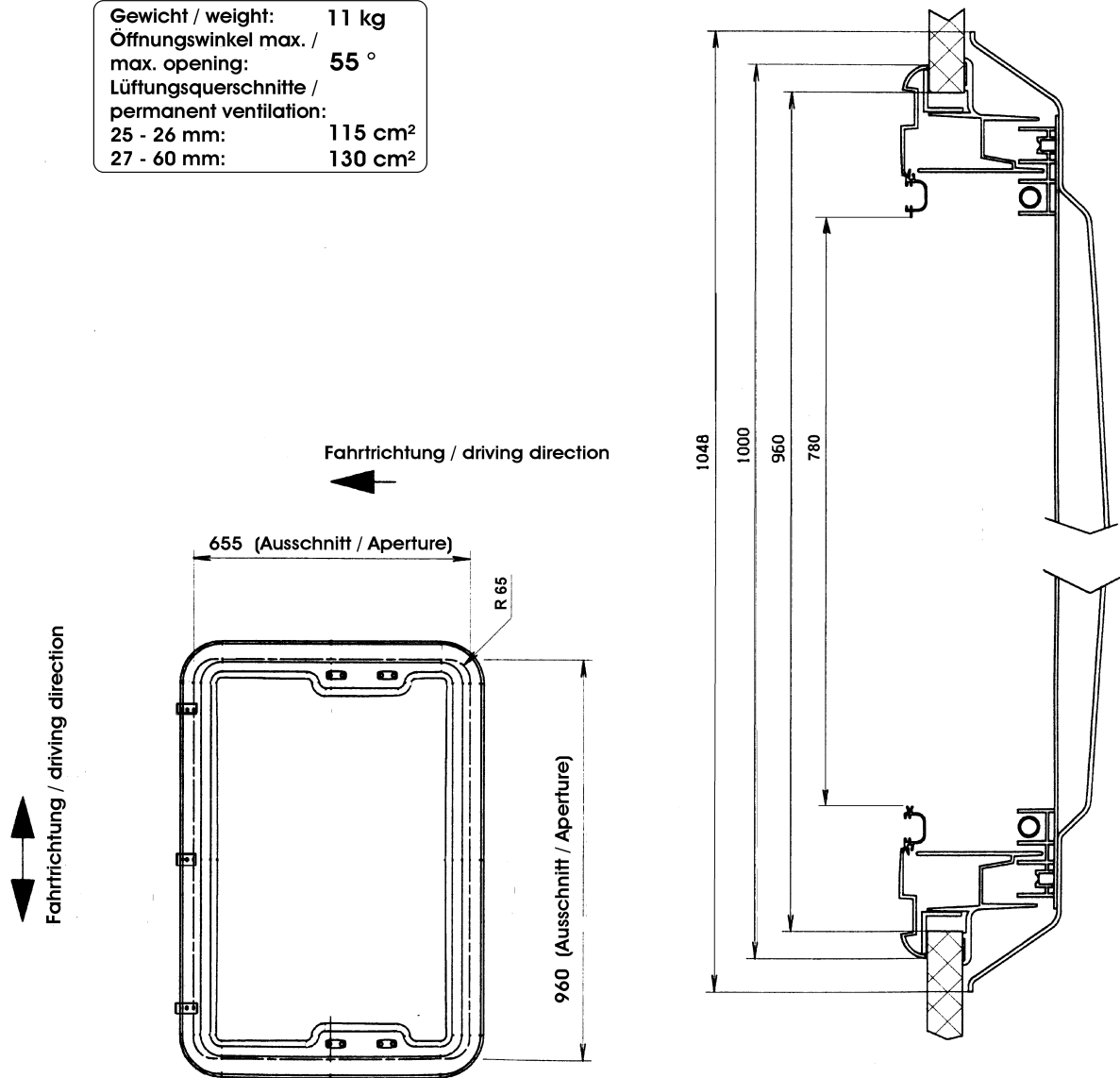


# 20.3. Heki 2 - Technical Drawing



|   |                     |
|---|---------------------|
| Gewicht / weight:                             | 11 kg               |
| Öffnungswinkel max. / max. opening:           | 55 °                |
| Lüftungsquerschnitte / permanent ventilation: |                     |
| 25 - 26 mm:                                   | 115 cm <sup>2</sup> |
| 27 - 60 mm:                                   | 130 cm <sup>2</sup> |



\* = only for manufacturers